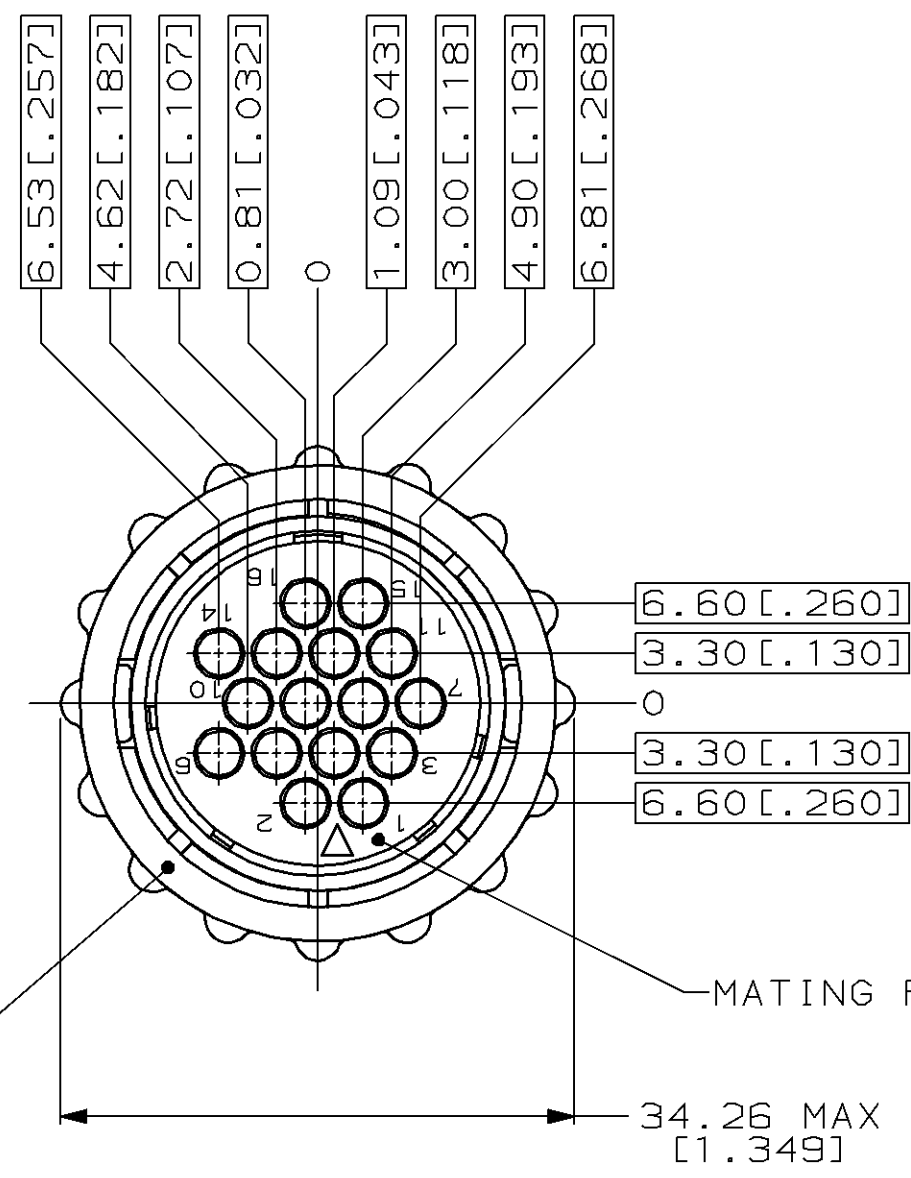
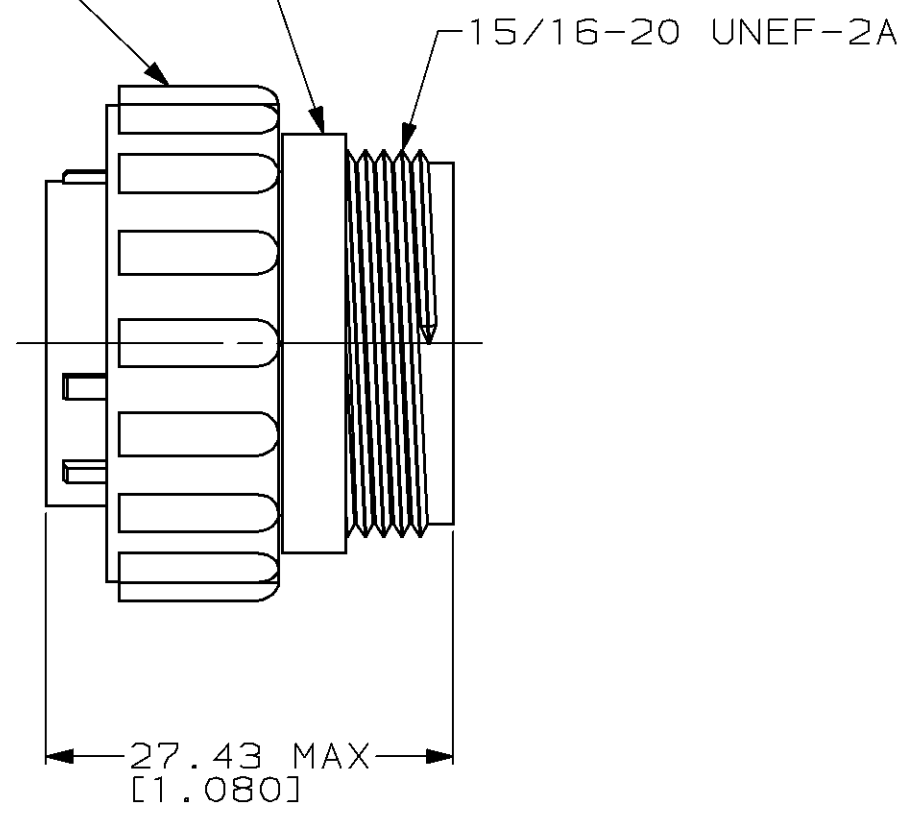


LOC	DIST	P	F	REVISIONS				
				ZONE	LTR	DESCRIPTION	DATE	APPD
FT	4			F		REDRAWN W/O CHANGE PER EC 0020-600-94	06/17/94	AF
				G		REV PER EC 0020-568-95	19 JUL 95	AF
				H		REV PER EC 0320-244-97	06 OCT 97	KD



PLUG HOUSING
 MATERIAL: GLASS FILLED NYLON,
 6/6, BLACK

COUPLING RING
 MATERIAL: POLYESTER, BLACK



AMP PART NO & DATE CODE
 THIS SURFACE

MATING FACE
 34.26 MAX DIA
 [1.349]

- CONTACT CAVITIES IDENTIFIED BY CHARACTERS ON FRONT AND REAR FACES OF CONNECTOR.
- WILL ACCEPT SIXTEEN (16) MULTIMATE SOCKET CONTACTS.

		206554-1	
		PART NO	
DO NOT SCALE PRINT. UNLESS SPECIFIED DIMENSIONS IN mm [INCHES] TOLERANCES ON : 2 PLC DEC ± - 3 PLC DEC ± - ANGLES ± -		DR 06-17-94 D.HARDY CHK 06-24-94 R.STONE APPD 08-09-94 A.FRANTUM APPD 08-09-94 A.FRANTUM PRODUCT SPEC - APPLICATION SPEC - WEIGHT -	
MATERIAL SEE CALLOUTS		AMP Incorporated Harrisburg, PA 17105-3608 NAME PLUG ASSEMBLY, STANDARD SEX, 17-16, CPC	
FINISH -		SIZE C	CAGE CODE 00779
		DRAWING NO C=206554	SHEET 1 OF 1
		SCALE 2:1	

THIS DRAWING IS A CONTROLLED DOCUMENT FOR AMP INCORPORATED. IT IS SUBJECT TO CHANGE AND THE CONTROLLING ENGINEERING ORGANIZATION SHOULD BE CONTACTED FOR THE LATEST REVISION.